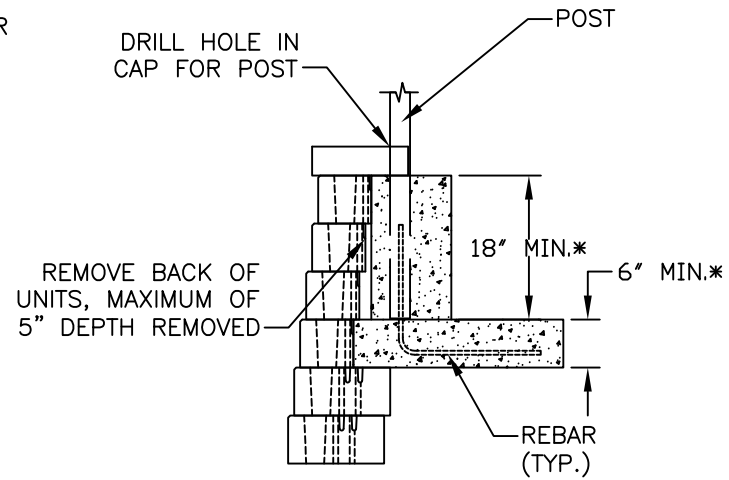


POST DETAIL-PLAN VIEW

SCALE: NONE



POST DETAIL-SECTION

SCALE: NONE

***NOTE:**
 ACTUAL DIMENSIONS AND REBAR REQUIREMENTS VARY DEPENDING ON PEDESTRIAN LOADING REQUIREMENTS AND POST SPACING. FINAL DETERMINATION OF SUITABILITY, USE, AND DESIGN SHOULD BE COMPLETED BY A QUALIFIED LICENSED ENGINEER. THIS DETAIL IS NOT SUITABLE FOR FENCE INSTALLATIONS WITH HIGH WIND LOAD REQUIREMENTS.

PRELIMINARY

THIS DRAWING IS PRELIMINARY AND SHOULD BE USED FOR ESTIMATING PURPOSES ONLY. A FINAL DESIGN SHOULD BE PERFORMED BY A QUALIFIED REGISTERED ENGINEER. DETERMINATION OF THE SUITABILITY OF ANY INFORMATION OR MATERIAL FOR THE USE CONTEMPLATED, AND ITS MANNER OF USE, IS THE SOLE RESPONSIBILITY OF THE USER.



VERSA-LOK®
 Retaining Wall Systems

(800)770-4525 fax(651)770-4089
 6348 Hwy36 Ste1, Oakdale, MN 55128 **Solid Solutions™**

VERSA-LOK ULTRA DETAILS

POST IN WALL

SCALE:	AS NOTED
DRAWN BY:	PDL
CHECKED BY:	
DATE:	8/2013
DWG. NO.	ULTRA POST IN WALL