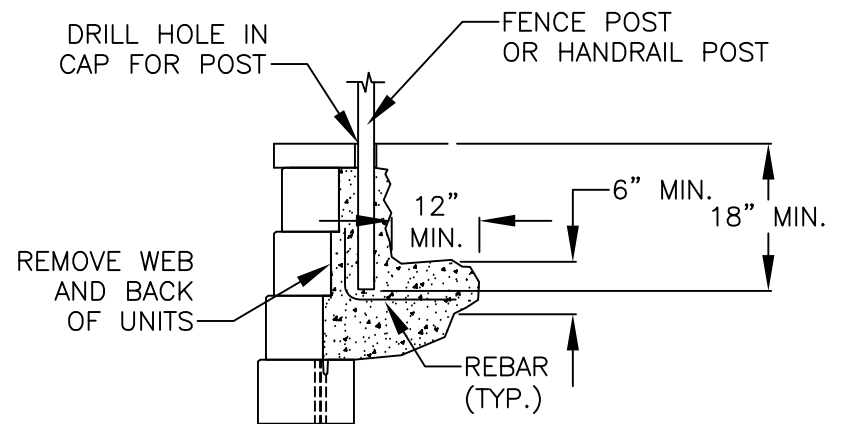


POST DETAIL—PLAN VIEW

SQUARE FOOT UNIT

TYPICAL HANDRAIL AND/OR FENCE POST

SCALE: NONE



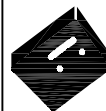
POST DETAIL—SECTION A—A

SQUARE FOOT UNIT

TYPICAL HANDRAIL AND/OR FENCE POST

SCALE: NONE

THESE PRELIMINARY DETAILS ARE INTENDED AS AN AID IN DESIGNING ATTRACTIVE, DURABLE RETAINING WALLS WITH VERSA-LOK UNITS. FINAL DETERMINATION OF THE SUITABILITY OF ANY INFORMATION OR MATERIAL FOR THE USE CONTEMPLATED, AND ITS MANNER OF USE, IS THE SOLE RESPONSIBILITY OF THE USER. A FINAL PROJECT SPECIFIC DESIGN SHOULD BE PREPARED BY A QUALIFIED, LICENSED, PROFESSIONAL ENGINEER.



**VERSA-LOK<sup>®</sup>**  
Retaining Wall Systems

(800)770-4525 fax(651)770-4089  
6348 Hwy36 Ste1, Oakdale, MN 55128 **Solid Solutions<sup>™</sup>**

VERSA-LOK SQUARE FOOT DETAILS

POST DETAIL

SCALE:	1/2"=1'
DRAWN BY:	PPS
CHECKED BY:	
DATE:	10/2007
DWG. NO.	sf post detail